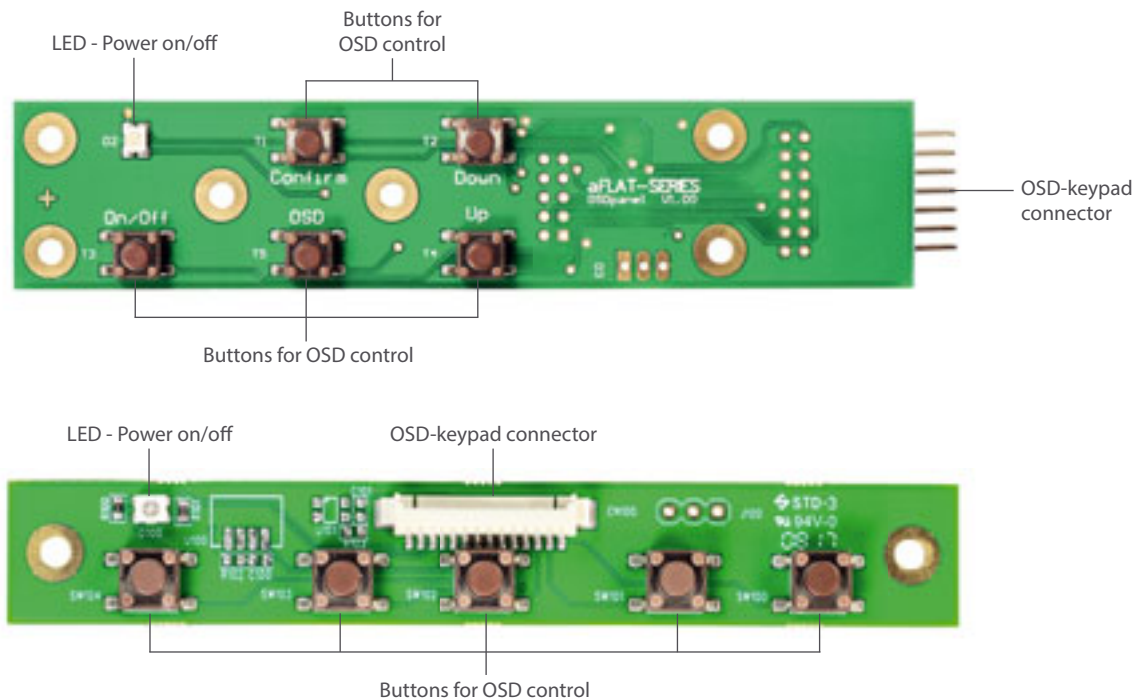


On-Screen-Display(OSD)-Keypad for CRTtoLCD-Series

OSD-Panel-Set / OSD-Panel-Set-LP

- 5 buttons
- Dual-color-LED (red/green), controllable by firmware or script
- Ambient-Light-Sensor (ALS)
- IR-Receiver

On-Screen-Display(OSD)-Keypad for CRTtoLCD-Series OSD-Panel-Set / OSD-Panel-Set-LP



Description

The OSD-Panel-Set and OSD-Panel-Set-LP are On-Screen-Display(OSD) keypads for eCOUNT embedded CRTtoLCD-Series.

Both support up to 5 buttons and multi-color LED control for custom specific status indication.

Typical Verticals

Point of Sales (POS):	Check-in terminals
Point of Information (POI):	Public displays
Industrial Automation & Medical:	Panel-PCs, Industrial monitors
Test & Measurement:	Smart displays
Transportation:	Rugged displays
Gaming:	Casino slot machines, Lottery systems, Open frame monitors

On-Screen-Display(OSD)-Keypad for CRTtoLCD-Series OSD-Panel-Set / OSD-Panel-Set-LP

Technical Information

Features	<ul style="list-style-type: none"> • OSD-Panel-Set: <ul style="list-style-type: none"> - 5 buttons - Dual-color-LED (red/green), controllable by firmware or script • OSD-Panel-Set-LP: <ul style="list-style-type: none"> - 5 buttons - Dual-color-LED (red/green), controllable by firmware or script - Ambient-Light-Sensor (ALS) - IR-Receiver
Form Factor	<ul style="list-style-type: none"> • Dimension (Module, LxWxH): <ul style="list-style-type: none"> OSD-Panel-Set: 25 mm x 120.0 mm x 14.3 mm OSD-Panel-Set-LP: 15 mm x 100.0 mm x 6.0 mm

Ordering Information

Article	Part-No.	Description
OSD-Panel-Set	22010E-00-01-01	5-button On-Screen-Display (OSD)-Keypad incl. cable for CRTtoLCD-51-pro/61-pro/-71
OSD-Panel-Set-LP	22011E-00-01-01	5-button OSD-keypad with dual color LED (red/green), IR-Receiver, Ambient Light Sensor (ALS) incl. cable for CRTtoLCD-71-LP/-61-LP/-91