

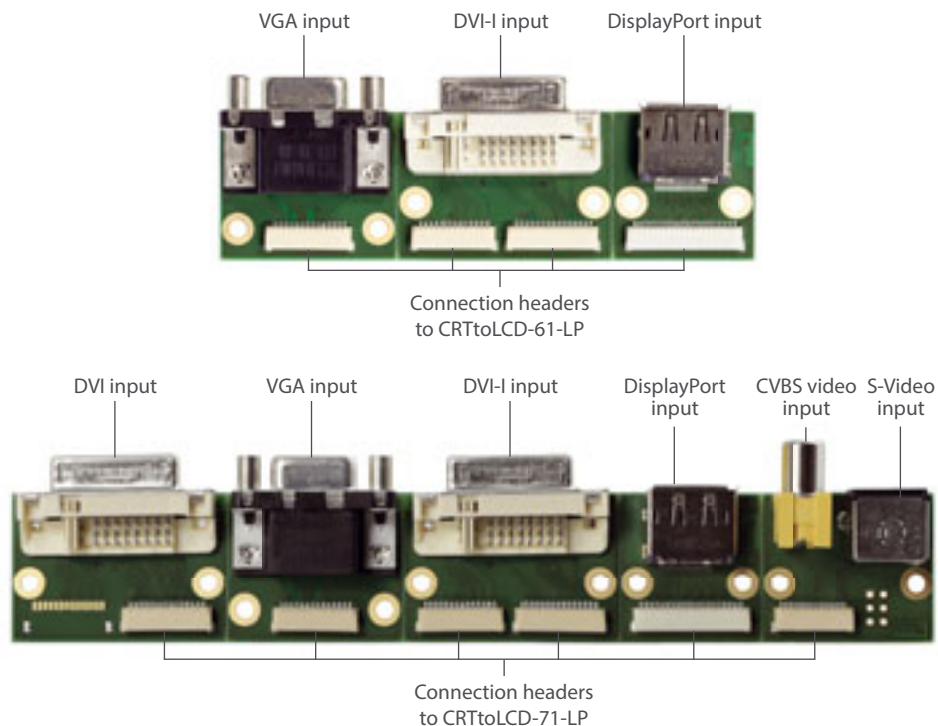
Flexible and configurable input header adapter for
CRTtoLCD-61-LP and CRTtoLCD-71-LP

ADAPT-61-LP / ADAPT-71-LP

- Analog-RGB (VGA), DVI, DisplayPort inputs (ADAPT-61-LP)
- Analog-RGB (VGA), DVI, DisplayPort Video
(Composite, S-Video, Component) inputs (ADAPT-71-LP)

Flexible and configurable input header adapter for CRTtoLCD-61-LP and CRTtoLCD-71-LP.

ADAPT-61-LP / ADAPT-71-LP



Description

ADAPT-x1-LP input header adapters are used in combination with eCOUNT embedded CRTtoLCD Low Profile-Series.

Both can be configured in a flexible way to use required input sources, e.g. with Analog-RGB (VGA), DVI, DP, Video (Composite, S-Video, Component), PCB sections can be separated at the cut-lines if inputs are not needed or have to be mounted at other locations.

There are two versions available: ADAPT-61-LP is used in combination with CRTtoLCD-61-LP and ADAPT-71-LP with CRTtoLCD-71-LP.

They are pin-compatible with all Low-Profile(LP) controllers so ADAPT-61-LP can also be used on CRTtoLCD-71-LP.

Typical Verticals

Point of Sales (POS):	Check-in terminals
Point of Information (POI):	Public displays
Industrial Automation & Medical:	Panel-PCs, Industrial monitors
Test & Measurement:	Smart displays
Transportation:	Rugged displays
Gaming:	Casino slot machines, Lottery systems, Open frame monitors

Flexible and configurable input header adapter for
CRTtoLCD-61-LP and CRTtoLCD-71-LP.

ADAPT-61-LP / ADAPT-71-LP

Technical Information

Inputs	<ul style="list-style-type: none"> • ADAPT-61-LP: - Analog-RGB (VGA), DVI, DisplayPort • ADAPT-71-LP: - Analog-RGB (VGA), DVI, DisplayPort, Video (Composite, S-Video, Component)
Form Factor	<ul style="list-style-type: none"> • Dimension (Module, LxWxH): ADAPT-61-LP: 101.50 mm x 25.00 mm x 14.30 mm ADAPT-71-LP: 175.5 mm x 25.00 mm x 14.90 mm

Ordering Information

Article	Part.-No.	Description
ADAPT-61-LP	22012E-00-01-01	Input header adapter with Analog-RGB (VGA), DVI, DisplayPort inputs for CRTtoLCD-61-LP (Part-No.: 21088E-00-01-01)
KAB-ADAPT-61-LP	61030L	Cableset for ADAPT-61-LP (Part-No.: 22012E-00-01-01)
ADAPT-71-LP	22014E-00-01-01	Input header adapter with Analog-RGB (VGA), DVI, DP, Video (Composite, S-Video, Component) inputs for CRTtoLCD-71-LP (Part-No.: 21118E-00-01-01)
KAB-ADAPT-71-LP	61030F	Cableset for ADAPT-71-LP (Part-No.: 22014E-00-01-01)
KAB-ADAPT-P-LP	61030P	Power input cable for KAB-ADAPT-X1-LP (Part-No.: 22012E-00-01-01 & 22014E-00-01-01)